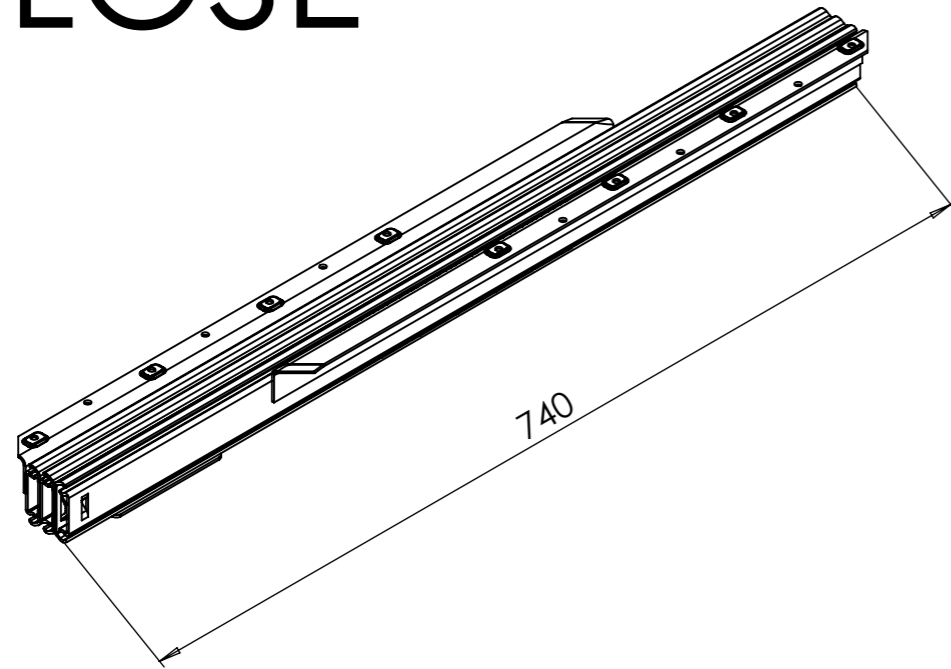
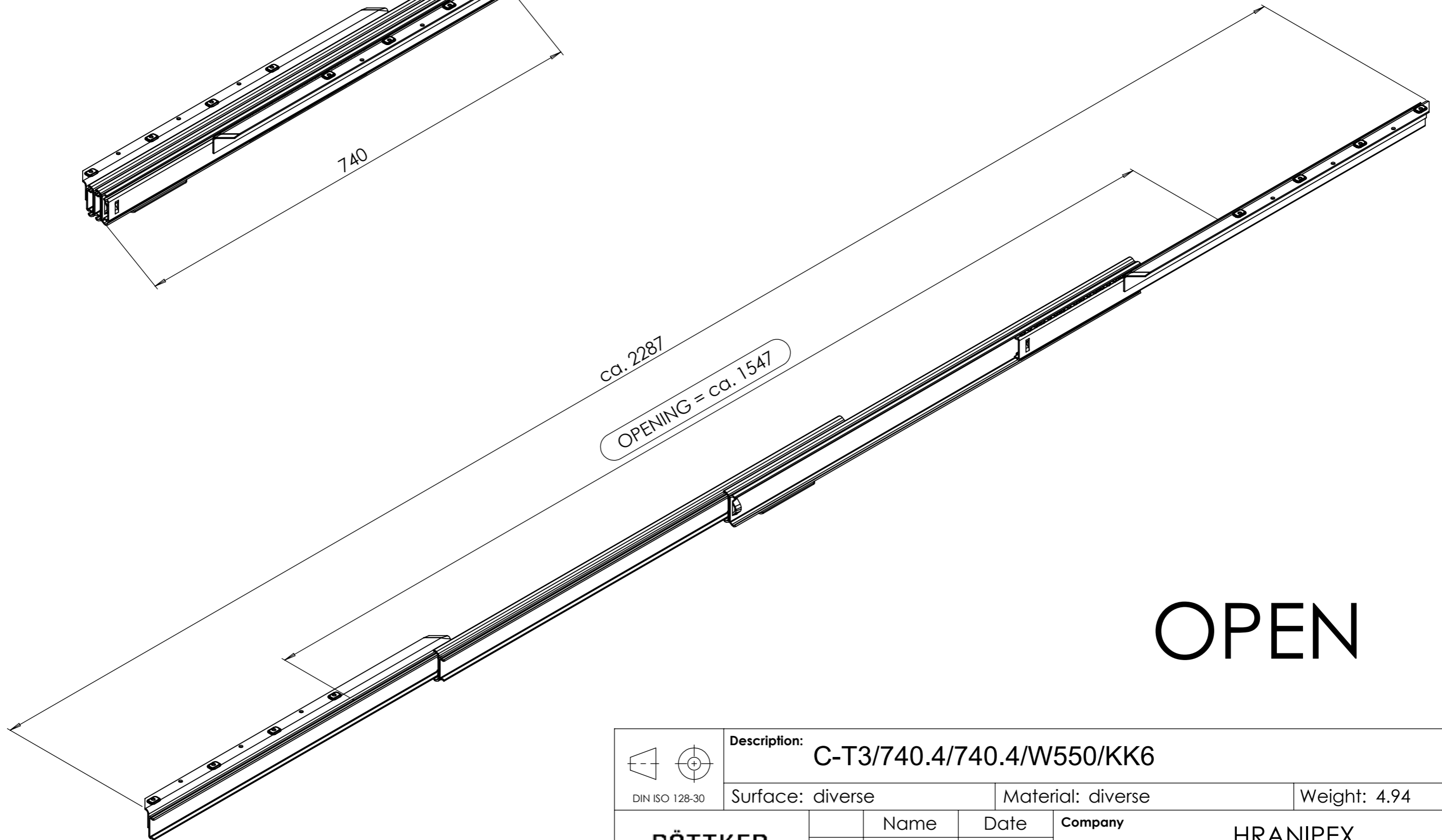


CLOSE



OPEN



<p>DIN ISO 128-30</p>	Description: C-T3/740.4/740.4/W550/KK6					
	Surface: diverse		Material: diverse		Weight: 4.94 kg	
<p>Transforming furniture</p>	Name	Date	Company			
	Signed	Jakub P.	21.10.2021	HRANIPEX		
	Tested	(empty)	(empty)	Second Company:		
General tolerance: DIN ISO 2768 - m		Item No:	47074901	Scale 1:5	Page 2/3	A3

All property rights and rights to exploitation of copyright for this drawing data remain ours; they may not be made available to third parties without our consent.