

# LEVINA

## 5370PJP100P50

EAN 4031582347463

Swivel castor, housing and wheels made from high grade synthetic materials, double ball bearing swivel head, plate fitting. Wheel centre made of Polypropylene, Tread: TENTEprene (thermoplastic rubber), grey non-marking, precision ball bearing



BETTER MOBILITY. BETTER LIFE.

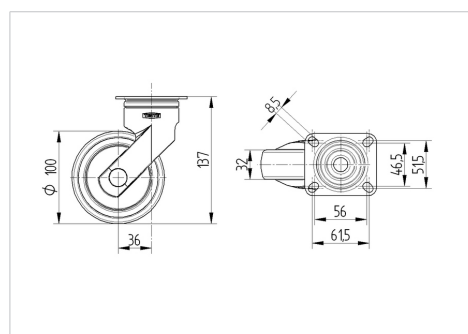


Picture may differ from original product

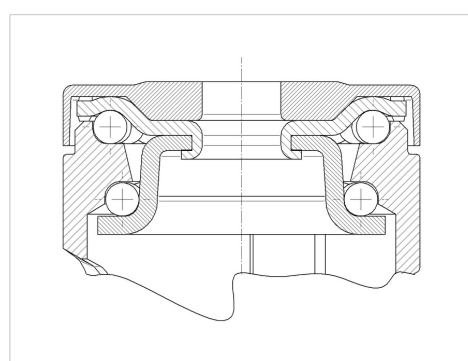
### Technical Data

Wheel diameter	100 mm
Wheel width	32 mm
Castor width	59 mm
Size of Plate	77 x 67 mm
Plate hole centres	61,5/56 x 51,5/46,5 mm
Plate hole	8,5 mm
Dome-Ø	59 mm
Offset	36 mm
Swivel Interference	172 mm
Overall height	137 mm
Temperature	- 10 / + 40 °C
Standard	EN_12530
Weight	0.471 kg
Swivel Radius	86 mm
Hardness of tread	Shore A 87
Load capacity	100 kg
Load capacity (static)	200 kg

### Dimensions



### Structure & Mounting



### Advantages at a glance

Roll performance	● ● ● ○ ○
Movement noise	● ● ● ● ○
Attrition	● ● ● ○ ○
Corrosion resistance	● ● ● ● ○

# LEVINA

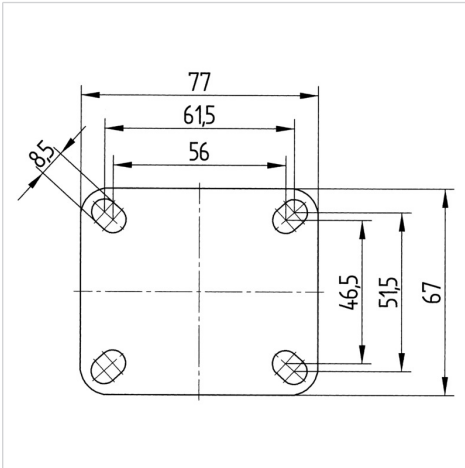
5370PJP100P50

EAN 4031582347463



BETTER MOBILITY. BETTER LIFE.

## Structure & Mounting



**Design Award Winner**

German Designer Club

