

AGILA

2478PJI050P41

EAN 4031582030013

Fixed castor, Fork made of pressed steel, bright zinc plated, blue passivated, axle riveted, plate fitting.

Wheel centre made of Polypropylene, Tread: TENTEprene (thermoplastic rubber), grey non-marking, plain bearing



BETTER MOBILITY. BETTER LIFE.

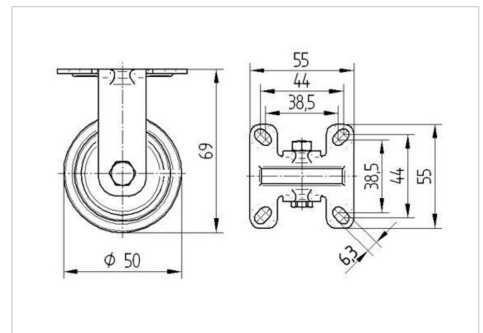


Picture may differ from original product

Technical Data

Wheel diameter	50 mm
Wheel width	19 mm
Castor width	35 mm
Size of Plate	55 x 55 mm
Plate hole centres	44/38,5 x 44/38,5 mm
Plate hole	6,3 mm
Dome-Ø	27 mm
Overall height	69 mm
Temperature	- 20 / + 60 °C
Standard	EN_12530
Weight	0.088 kg
Hardness of tread	Shore A 87
Load capacity	40 kg
Load capacity (static)	80 kg

Dimensions



Advantages at a glance

Roll performance	● ● ● ○ ○
Movement noise	● ● ● ○ ○
Attrition	● ● ● ○ ○
Corrosion resistance	● ● ● ○ ○

AGILA

2478PJI050P41

EAN 4031582030013



BETTER MOBILITY. BETTER LIFE.

Structure & Mounting

