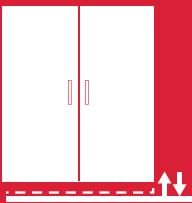




Integrato With Engineering Plastic Foot



LEVELLERS



SYMBOLS AND FINISHES LEGEND

SYMBOLS



= SHELF SAFELY LOCKED DURING TRANSPORTATION AND AT HOME.



= ANTI-TURNOVER LOCKING SYSTEM



= NORMS / PATENTS



= PHILLIPS / POZIDRIV



= WITH BUFFER



= PART NO.



= BLADE SLOT



= WITH MAGNET



= PCS. PER PACKAGE



= COMBI SLOT



= HEXAGONAL SOCKET



= NEWTON



= CAPACITY LOADING



= HEXALOBULAR SOCKET



= FRICTION



= WOOD / GLASS THICKNESS



= COUNTERSUNK HEAD



= AUTOMATIC



= HOLE DIAMETER



= PAN HEAD



= DROP DOWN



= DIAMETER



= FLANGE HEAD



= LENGTH



= FLAT HEAD



= STANDARD HINGE



= HEIGHT



= TRILOBULAR SCREW



= KIMANA HINGE



= RIGHT VERSION



= SELF-TAPPING SCREW



= FLAP HINGE



= LEFT VERSION



= EURO THREAD



= WITH SPRING



= SETTING CODE



= METRIC THREAD



= WITHOUT SPRING



= PCS. PER PAD



= PRE-INSERTED SCREW



= REVERSED SPRING



= CUT ON REQUEST



= PRE-INSERTED SCREW AND SPREADING BUSH



= SELF ADHESIVE



= WITH FLANGE

NOTE: Printing errors and omissions may exist despite our best efforts to ensure accuracy. We reserve the right to alter specifications without notice.

MATERIALS

ZA = Zinc Alloy

ST = Steel

HSS = High Speed Steel

BR = Brass

ABS = Acrylonitrile Butadiene Styrene

ZAnk = Nickel-plated Zinc Alloy

STzk = Zinc-plated Steel

AL = Aluminium

WD = Wood

EVA = Ethylene Vinyl Acetate

EP = **ENGINEERING PLASTIC**

+ **EP** = other engineering plastic available on request

SR = **SOFT RUBBER**

+ **SR** = other soft rubber available on request

EPn = Natural Engineering Plastic

EPc = Clear Engineering Plastic

SRn = Natural Soft Rubber

EPw = White Engineering Plastic

EPg = Grey Engineering Plastic

SRw = White Soft Rubber

EPwg = Water Green Engineering Plastic

SRb = Black Soft Rubber



FINISHES



= OTHER FINISHES AVAILABLE ON REQUEST

PART NO.	FINISHES	PART NO.	FINISHES	PART NO.	FINISHES
00	Insignificant finish	IF	Middle Grey	UT	T-Met 9007
AA	Natural	IJ	Light Grey	UZ	T-Met
AB	White	IL	Grey 20	WA	Bronzed
AE	White 9010	IN	Grey met. 26	WI	Burnished
EA	Black	JB	Bright Aluminium	XD	Satin-finished Steel
EC	Matt Black	JC	Aluminium - Chrome	YA	Nickel-plated
EE	Anthracite	JD	Matt Aluminium	YB	Bright Nickel-plated
EW	Grey 9007	JE	Satin-finished Aluminium	YC	Matt Nickel-plated
FU	Gunmetal	JF	Aluminium - Brass	YD	Satin-finished Nickel-plated
FV	Gunmetal V52	JG	Aluminium 5	YQ	Black Nickel
GR	Raw	JL	Aluminium PE 11	Z9	Black Zinc
HA	Brass-Plated	JM	Aluminium RAL 9006	ZA	Zinc alloy
HH	Tropicalized	KA	Chrome	ZN	Zinc-plated
HL	Raw Brass	KB	Bright Chrome	ZQ	Bright Gold
HX	Graphite	KC	Matt Chrome	ZY	Titanium
IA	Grey	NN	Metallic Beige	ZZ	Clear
IB	Metallic Grey	RO	Red		



LEVELLERS

INTEGRATO WITH ENGINEERING PLASTIC FOOT

ITALIANA
ferramenta

INTEGRATO WITH ENGINEERING PLASTIC FOOT

INTEGRATO is a complete family of levellers suitable to align heavy duty wardrobes, bookcases and modular furniture. The leveller is installed and safely fixed onto the bottom of the carcass through a wide range of supports such as pins and screw holes, spikes and screw holes or just screw holes.

A further securement in position can be obtained with a countersunk 4x18 mm length screw from underneath first and then with two panhead 3,5x15mm length screws from the side if required.

The adjustment of the leveller can be carried out from above through a $\varnothing 8$ mm hole on the bottom panel, by using a S6mm allen wrench or both cross and blade screwdriver.

The zinc alloy die-cast foot is provided with an independent engineering plastic glide in order to make the adjustment easier and to prevent the scratching of the floor.

A bespoke spacer can be slotted over the leveller to give an extra structural support to the furniture bottom.

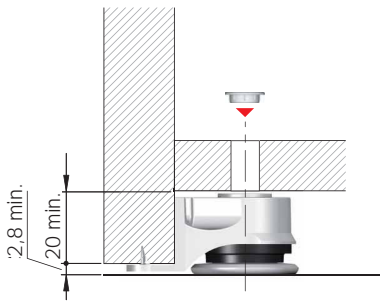
The spacer is available in three heights (see the related page).

175 Kg per piece

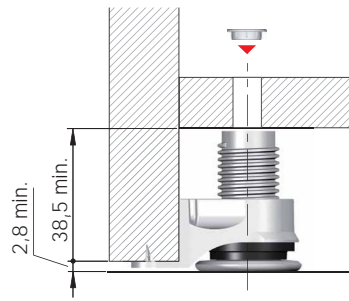


INTEGRATO levellers are available with 12 mm adjustment and 25 mm adjustment, with main body in zinc alloy or with engineering plastic. In any case, all versions of INTEGRATO are capable of supporting a 175 kg load each.

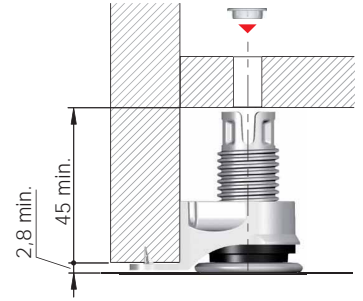
Tested in accordance with CATAS procedures



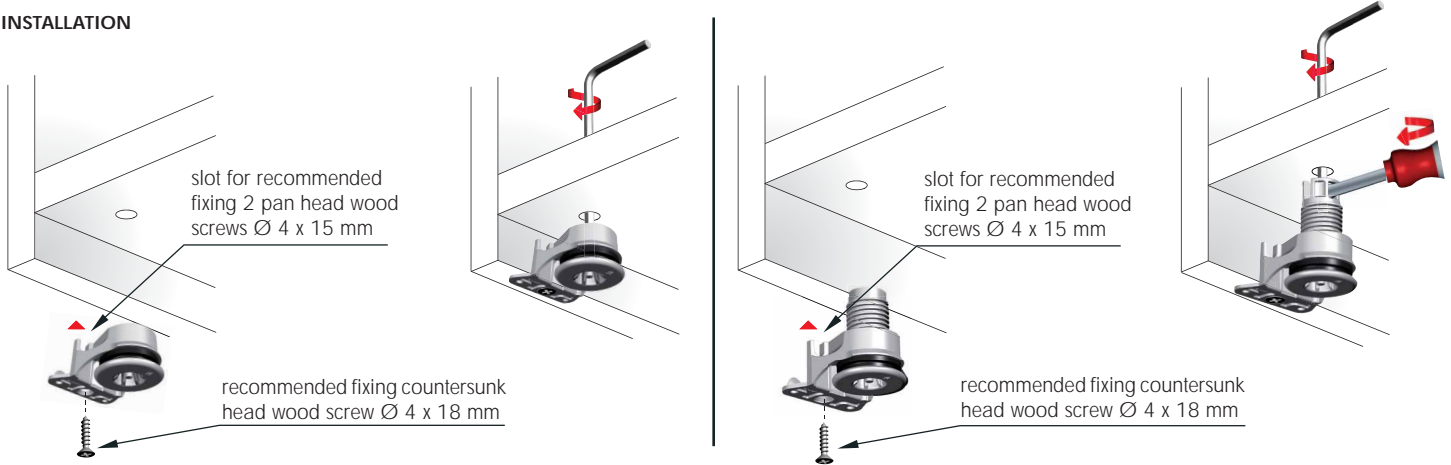
ADJUSTMENT 0 - 12 mm



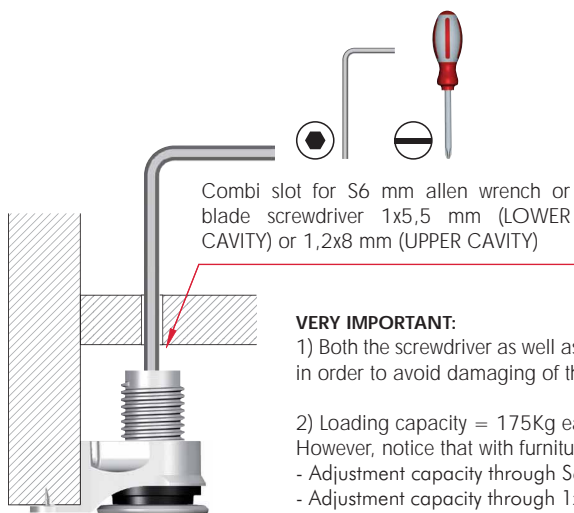
ADJUSTMENT 0 - 25 mm



INSTALLATION



ADJUSTMENT



Combi slot for S6 mm allen wrench or blade screwdriver 1x5,5 mm (LOWER CAVITY) or 1,2x8 mm (UPPER CAVITY)



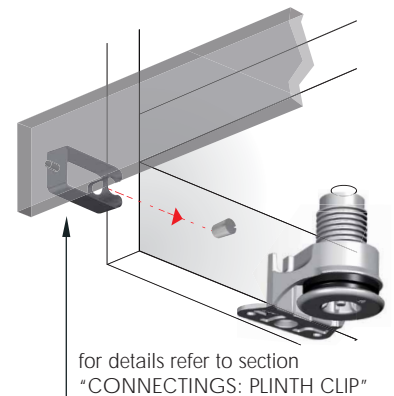
VERY IMPORTANT:

1) Both the screwdriver as well as the allen wrench must be fully inserted in the cavities, in order to avoid damaging of the engineering plastic sockets.

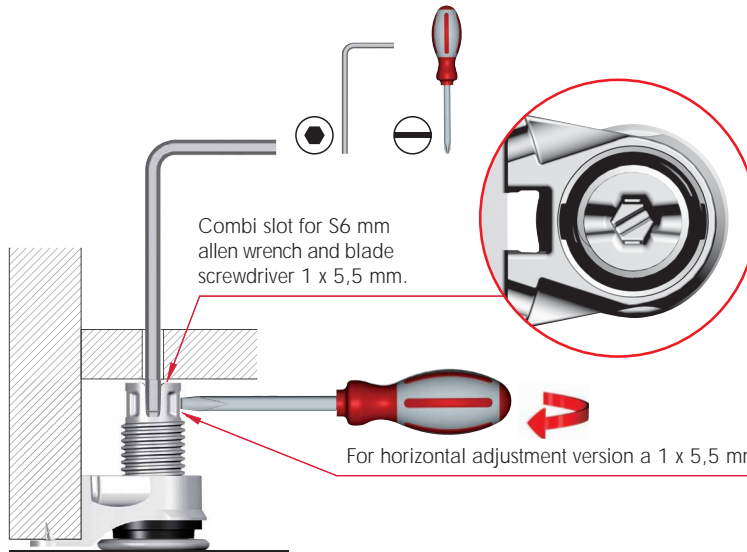
2) Loading capacity = 175Kg each.

However, notice that with furniture already loaded:

- Adjustment capacity through S6 mm allen wrench ≤ 175 Kg.
- Adjustment capacity through 1x5,5 mm blade screwdriver (LOWER CAVITY) ≤ 63 Kg.
- Adjustment capacity through 1,2x8 mm blade screwdriver (UPPER CAVITY) ≤ 63 Kg.



for details refer to section "CONNECTINGS: PLINTH CLIP"



VERY IMPORTANT:

1) Both the screwdriver as well as the allen wrench must be fully inserted in the cavities, in order to avoid damaging of the engineering plastic sockets.

2) Loading capacity = 175 Kg each.

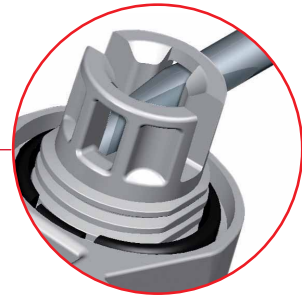
However, notice that with furniture already loaded:

- Horizontal adjustment capacity through 1x5,5 mm blade screwdriver ≤ 175 Kg.

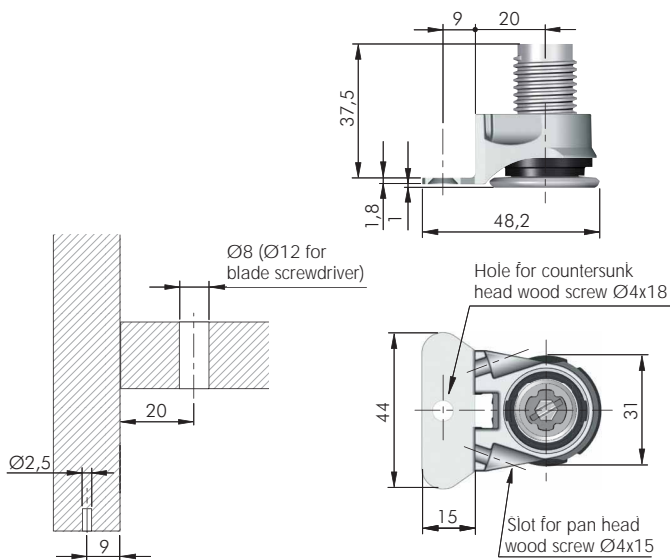
- Vertical adjustment capacity through S6 mm allen wrench ≤ 175 Kg.

- Vertical adjustment capacity through 1x5,5 mm blade screwdriver ≤ 63 Kg.

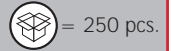
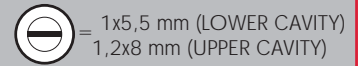
For horizontal adjustment version a 1 x 5,5 mm blade screwdriver is required.



INTEGRATO A



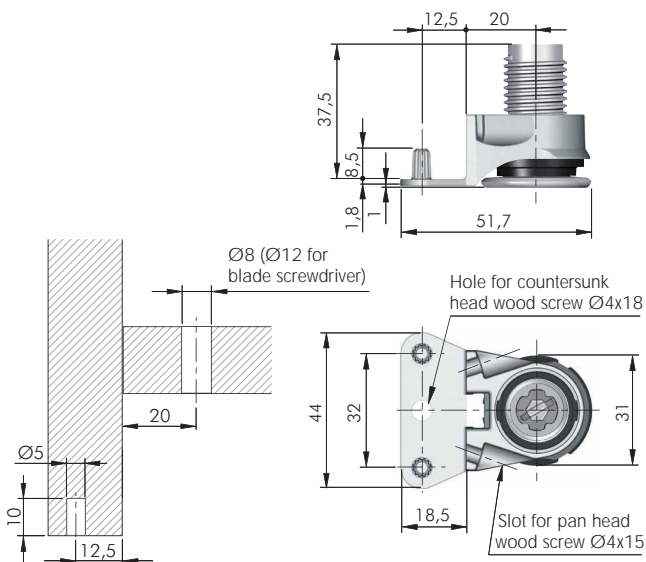
ADJUSTMENT 0 - 25 mm



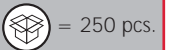
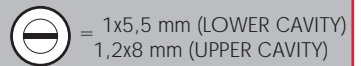
3011103000



INTEGRATO B



ADJUSTMENT 0 - 25 mm



3011203000



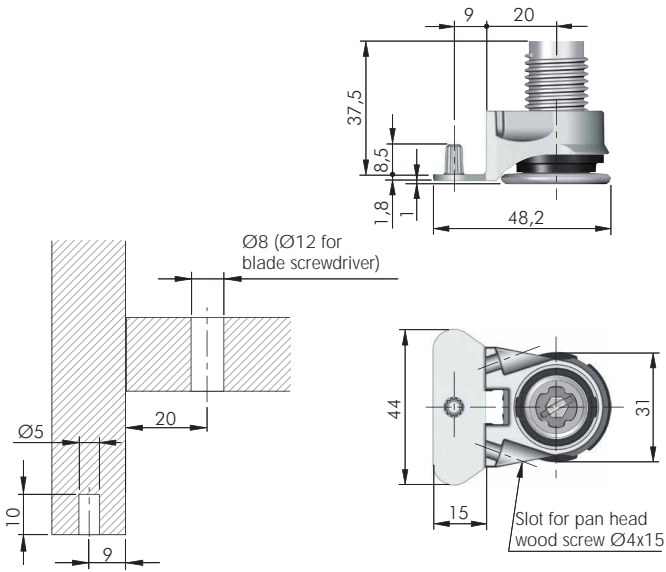


LEVELLERS

INTEGRATO WITH ENGINEERING PLASTIC FOOT

ITALIANA
ferramenta

INTEGRATO C



ADJUSTMENT 0 - 25 mm



1x5,5 mm (LOWER CAVITY)
1,2x8 mm (UPPER CAVITY)

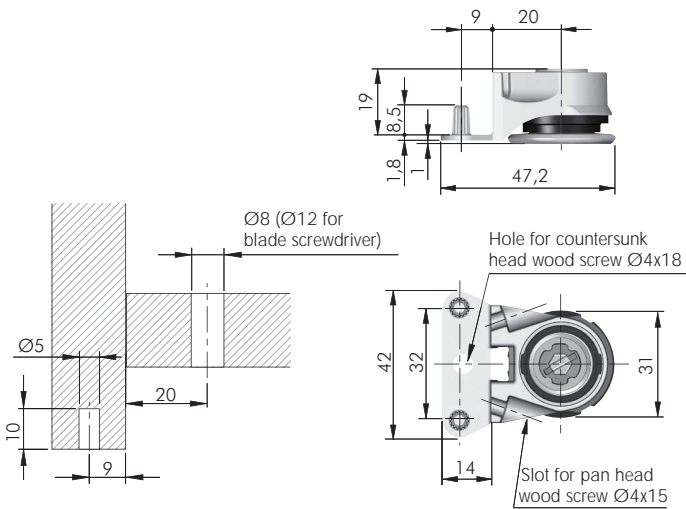


= 250 pcs.



3011303000

INTEGRATO D



ADJUSTMENT 0 - 12 mm



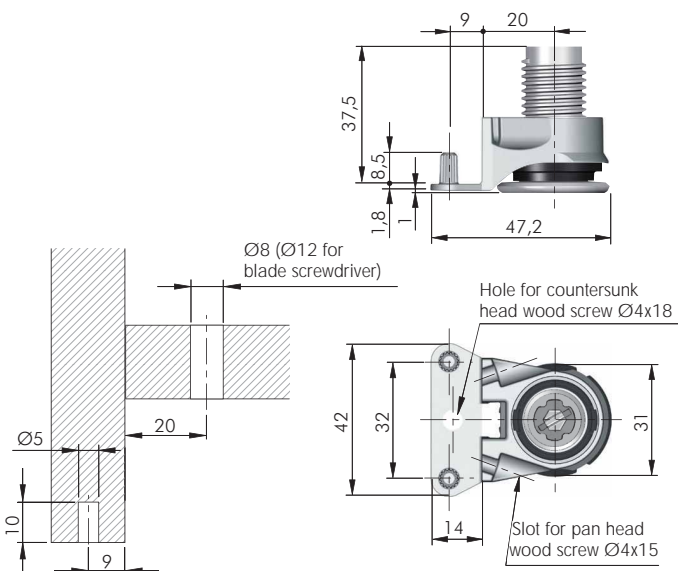
1x5,5 mm (LOWER CAVITY)
1,2x8 mm (UPPER CAVITY)



= 300 pcs.



3011401000



ADJUSTMENT 0 - 25 mm



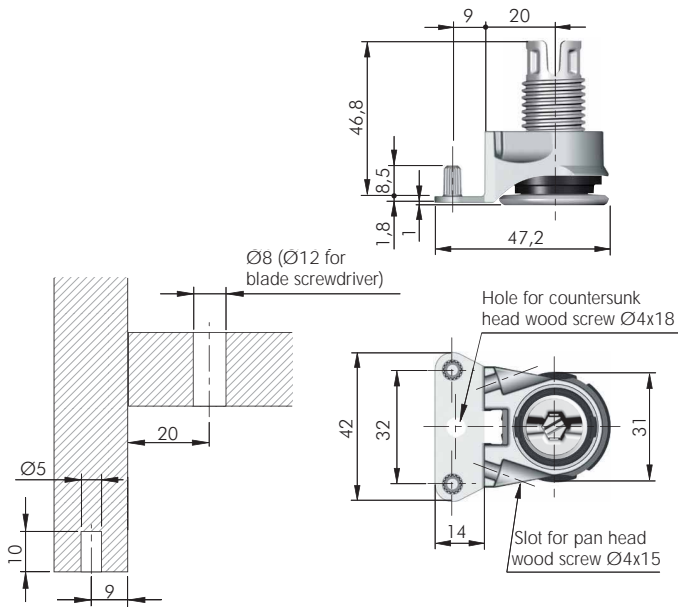
1x5,5 mm (LOWER CAVITY)
1,2x8 mm (UPPER CAVITY)



= 250 pcs.



3011403000



ADJUSTMENT 0 - 25 mm

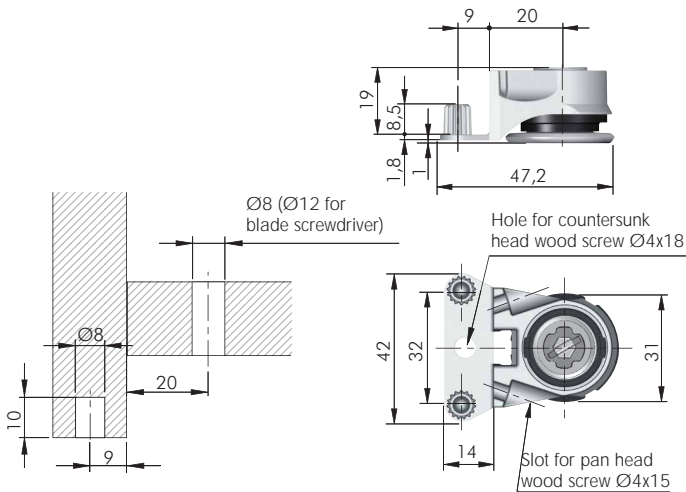
= S6
 = 1x5,5 mm

 = 250 pcs.

123

3011402000

INTEGRATO E



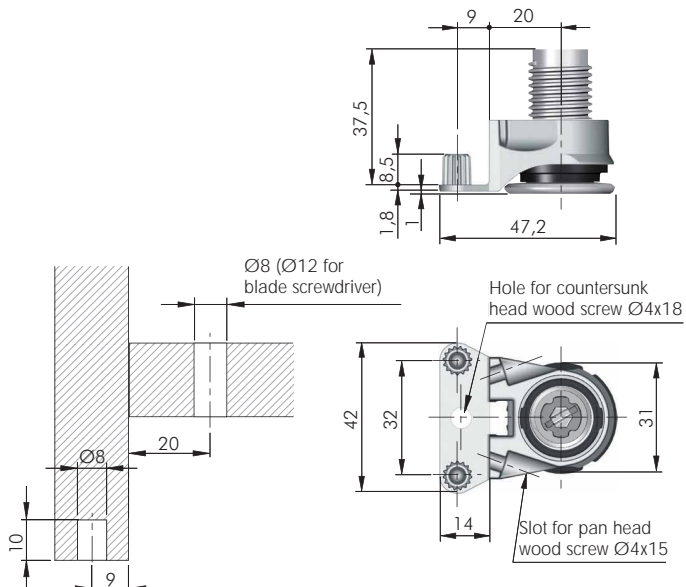
ADJUSTMENT 0 - 12 mm

= S6
 = 1x5,5 mm (LOWER CAVITY)
1,2x8 mm (UPPER CAVITY)

 = 300 pcs.

123

3011501000



ADJUSTMENT 0 - 25 mm

= S6
 = 1x5,5 mm (LOWER CAVITY)
1,2x8 mm (UPPER CAVITY)

 = 250 pcs.

123

3011503000

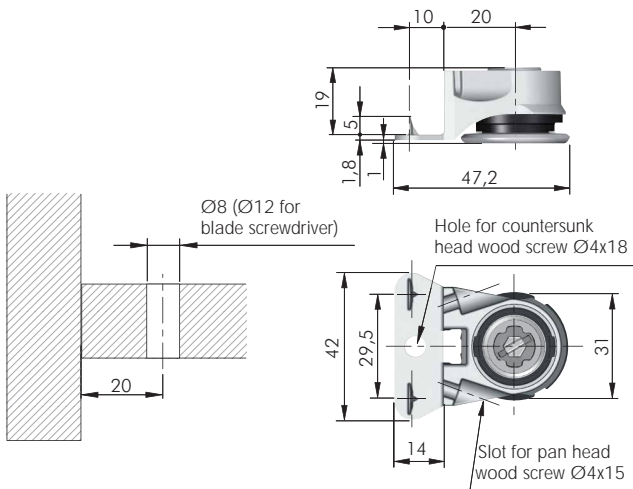


LEVELLERS

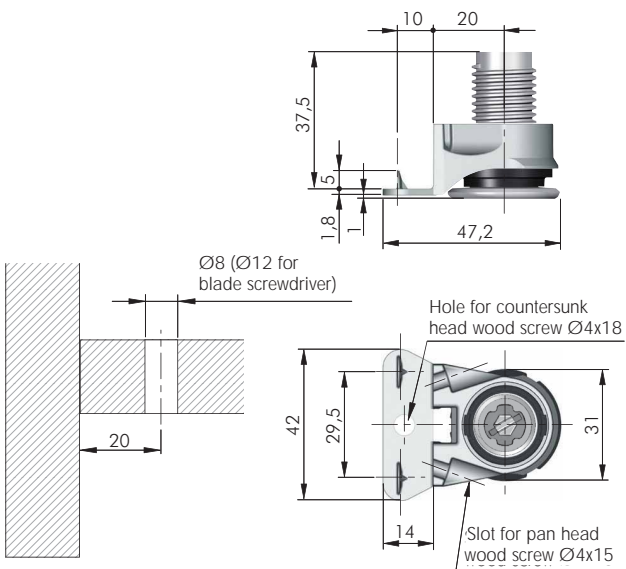
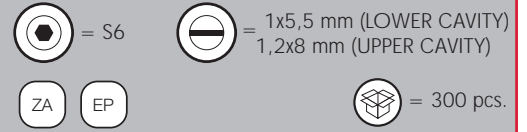
INTEGRATO WITH ENGINEERING PLASTIC FOOT

ITALIANA
ferramenta

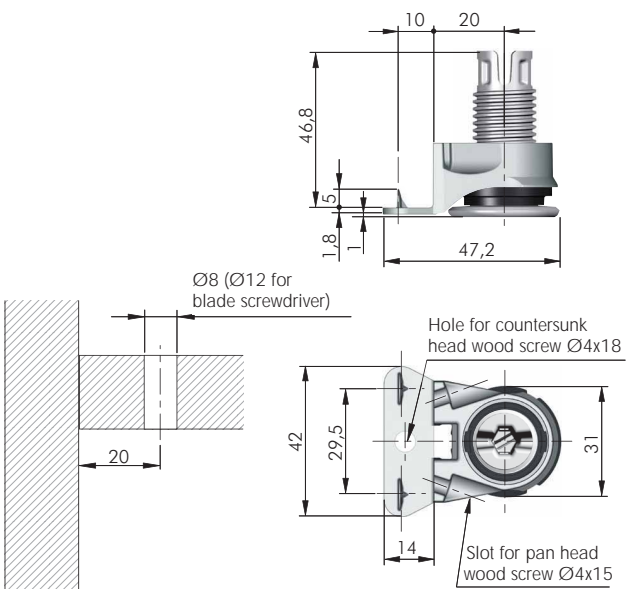
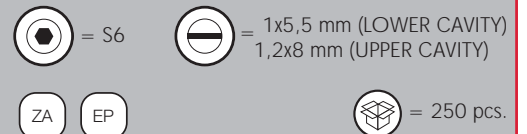
INTEGRATO G



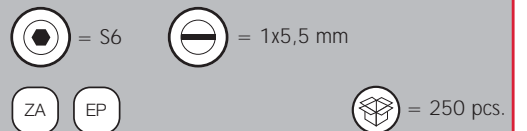
ADJUSTMENT 0 - 12 mm



ADJUSTMENT 0 - 25 mm

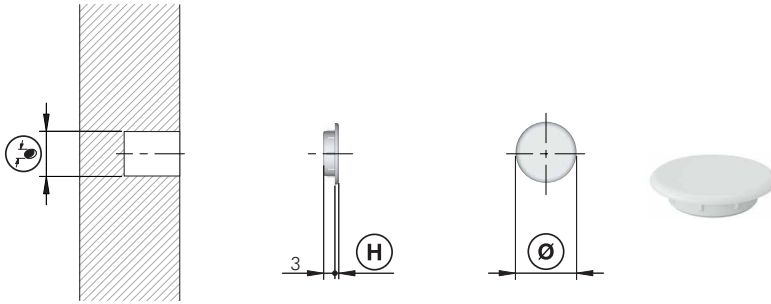


ADJUSTMENT 0 - 25 mm



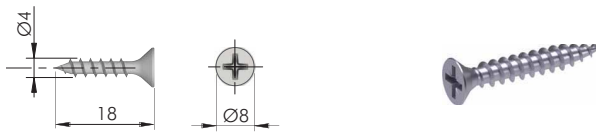


INTEGRATO ACCESSORY

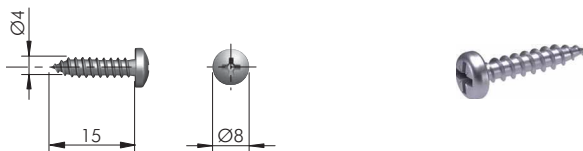


= Ø 8, Ø 12 mm + 				
EP				
 23002010AB	 Ø 8	 Ø 11	H 1	 5000
23002030AB	Ø 12	Ø 15	1	5000

INTEGRATO FIXING ACCESSORIES



= Ø 3 mm + 				
= PZ2				
ST = 1000 pcs.				
 60101580ZN				



= Ø 3 mm + 				
= PZ2				
ST = 1000 pcs.				
 60103230ZN				



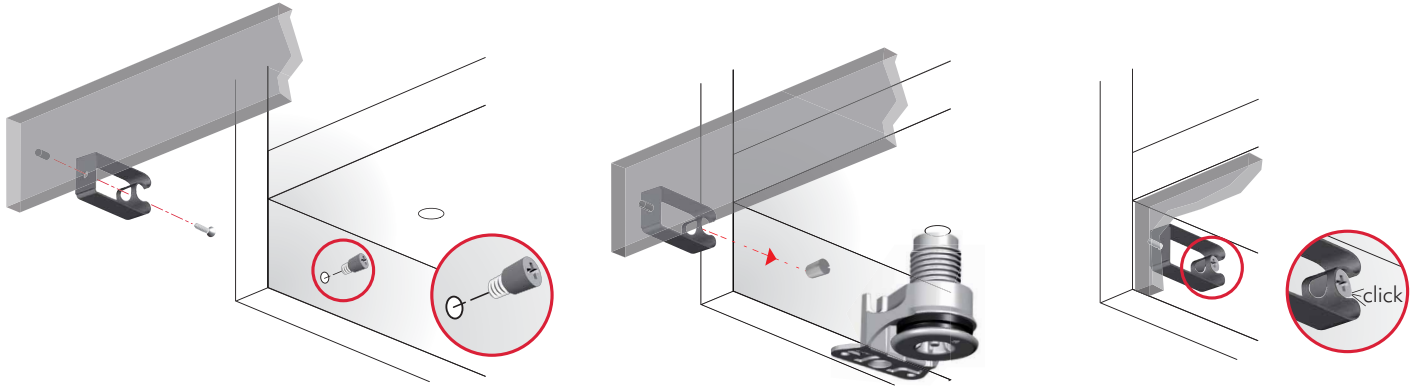
LEVELLERS

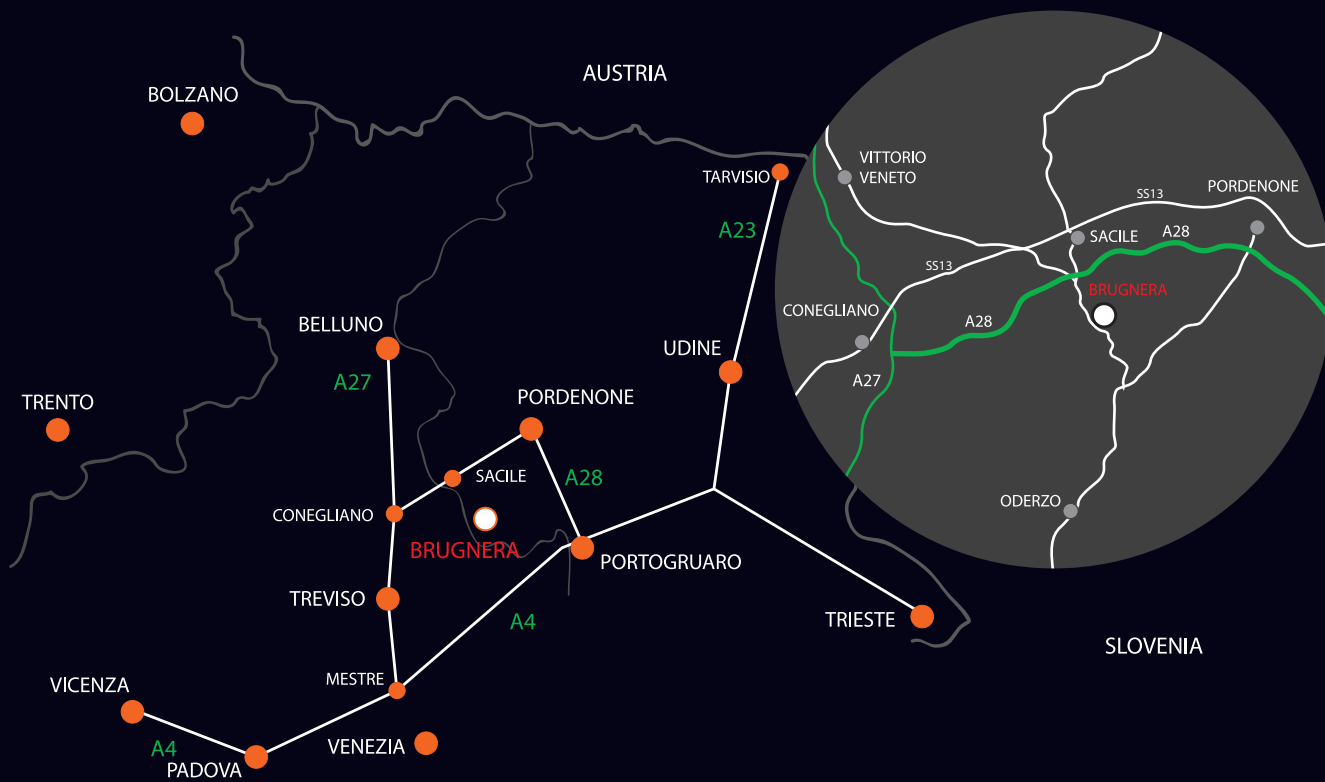
INTEGRATO WITH ENGINEERING PLASTIC FOOT

ITALIANA
ferramenta

PLINTH CLIP FOR INTEGRATO

- For details refer to section "CONNECTINGS: PLINTH CLIP"





www.italianaferramenta.com