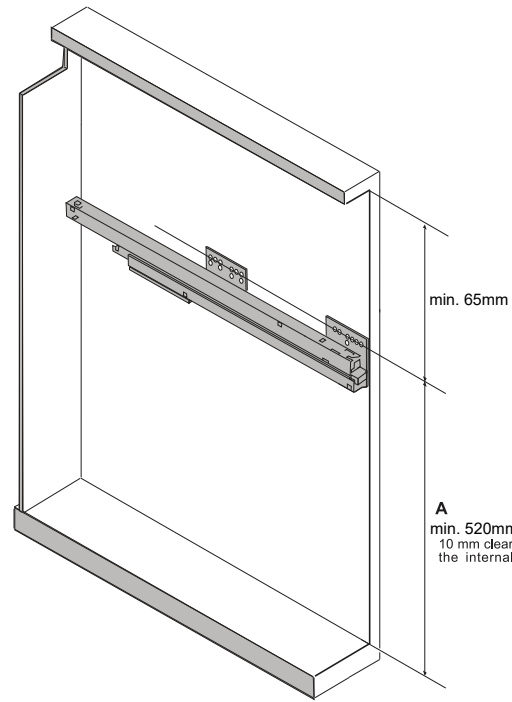


## Riex NX40

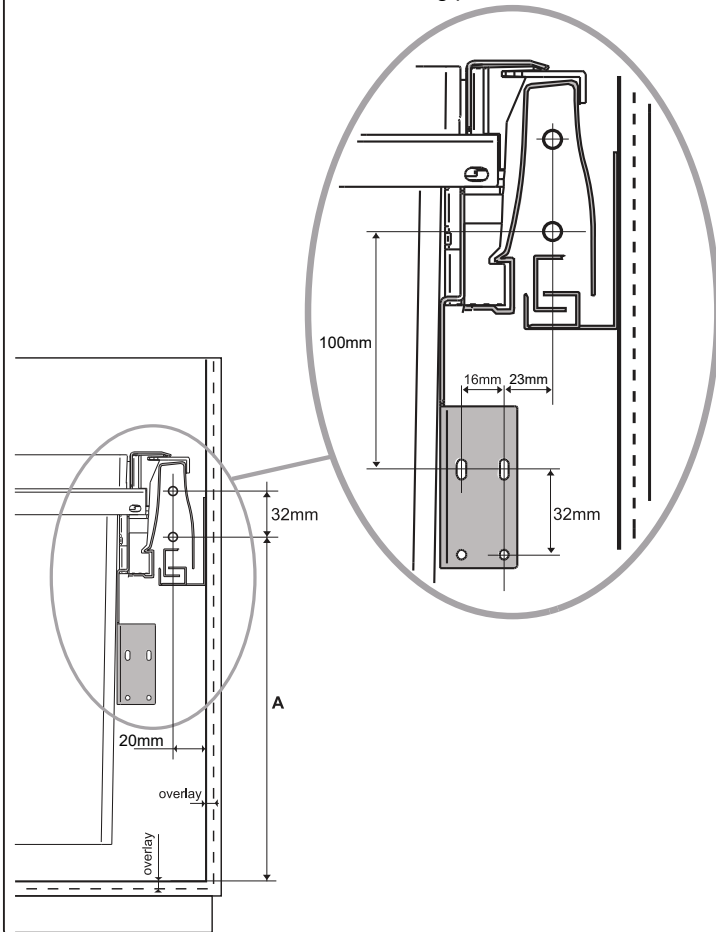
Riex NX40 carcass drawer runner position



min. 65mm

A  
min. 520mm  
10 mm clearance has been allowed for the internal bottom of the carcass.

Riex NX40 drawer front drilling position



100mm

16mm 23mm

32mm

32mm

20mm

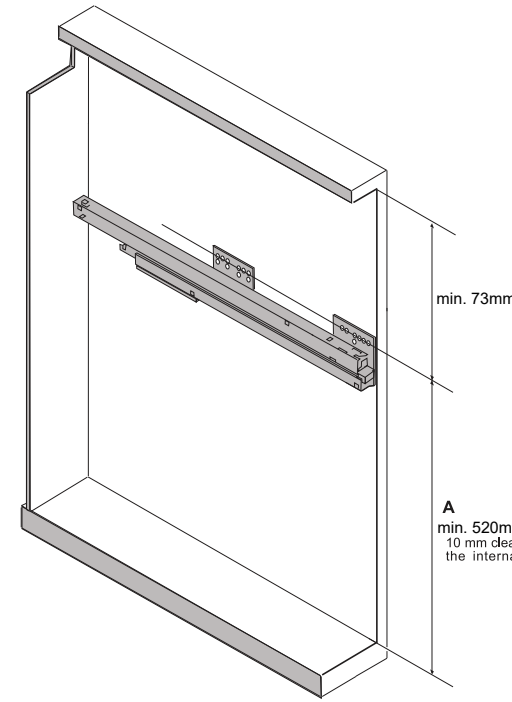
A

overlay

overlay

## Riex ND30

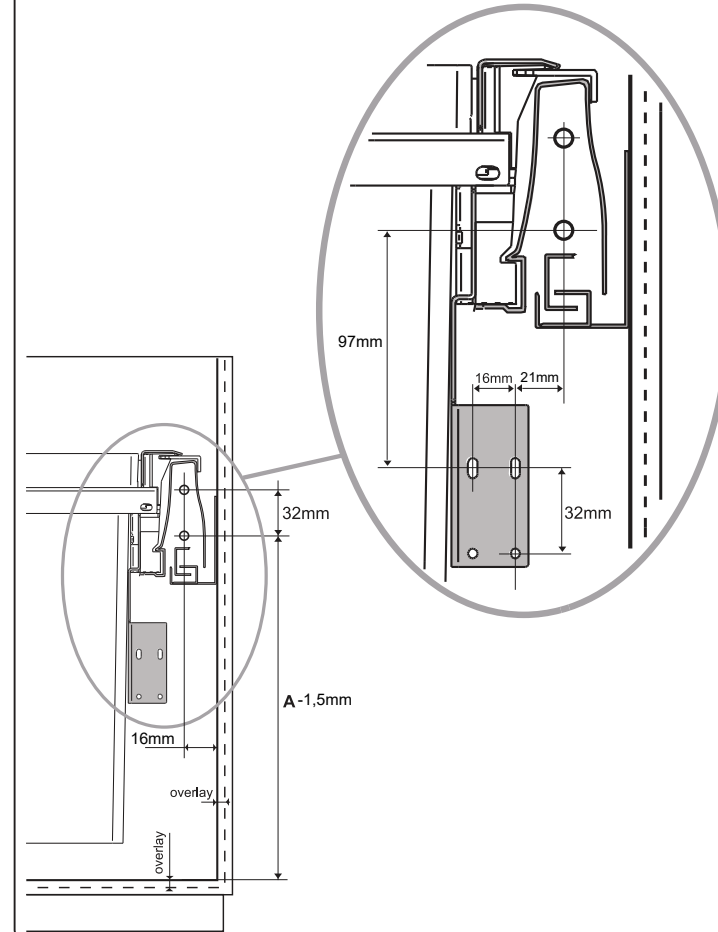
Riex ND30 carcass drawer runner position



min. 73mm

A  
min. 520mm  
10 mm clearance has been allowed for the internal bottom of the carcass.

Riex ND30 drawer front drilling position



97mm

16mm 21mm

32mm

32mm

16mm

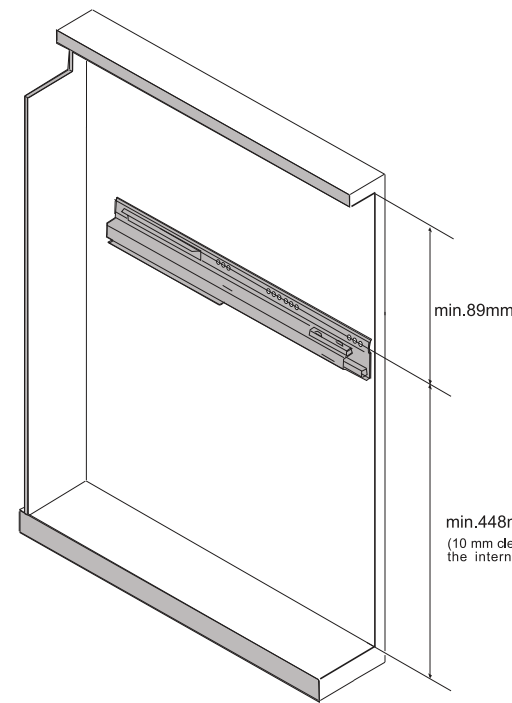
A-1.5mm

overlay

overlay

## Blum Tandembox

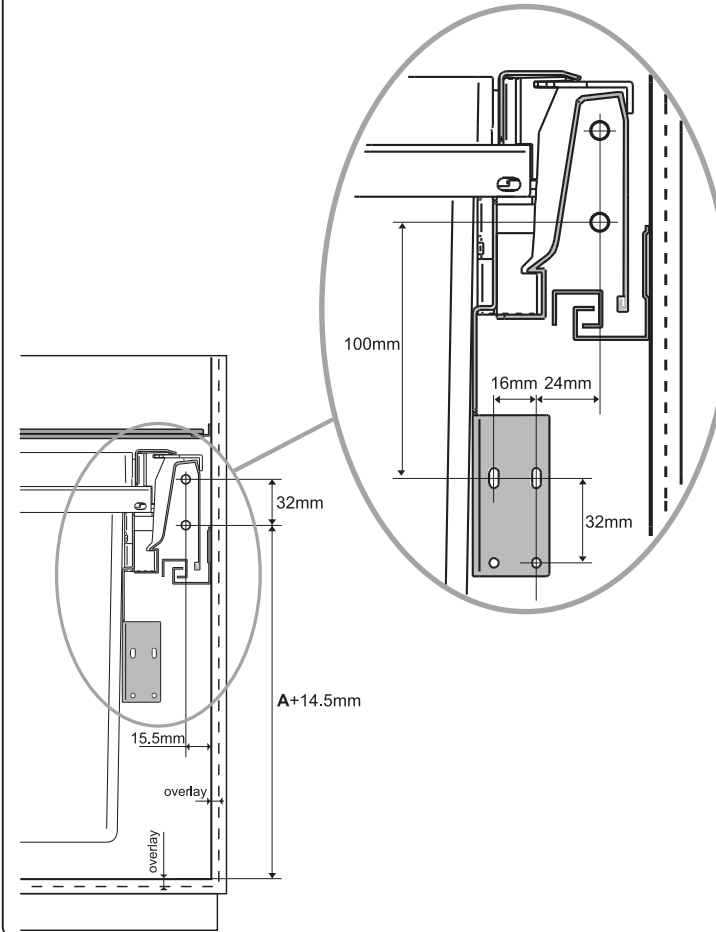
Blum Tandembox carcass drawer runner position



min. 89mm

min. 448mm  
(10 mm clearance has been allowed for the internal bottom of the carcass)

Blum Tandembox drawer front drilling position



100mm

16mm 24mm

32mm

32mm

15.5mm

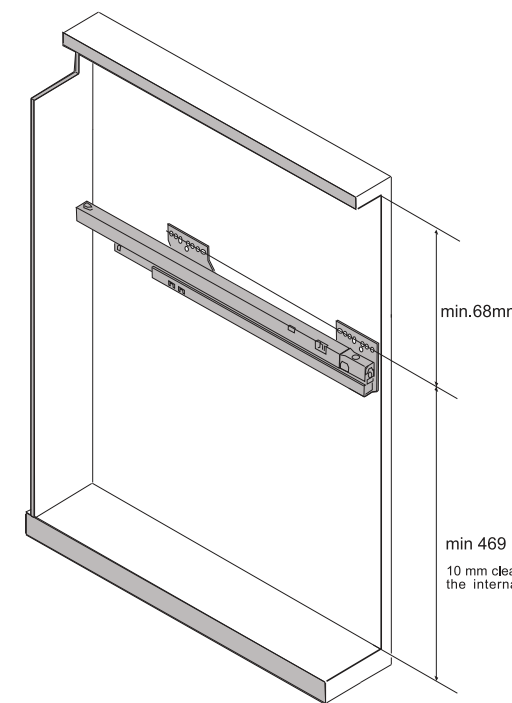
A+14.5mm

overlay

overlay

## Grass Nova Pro

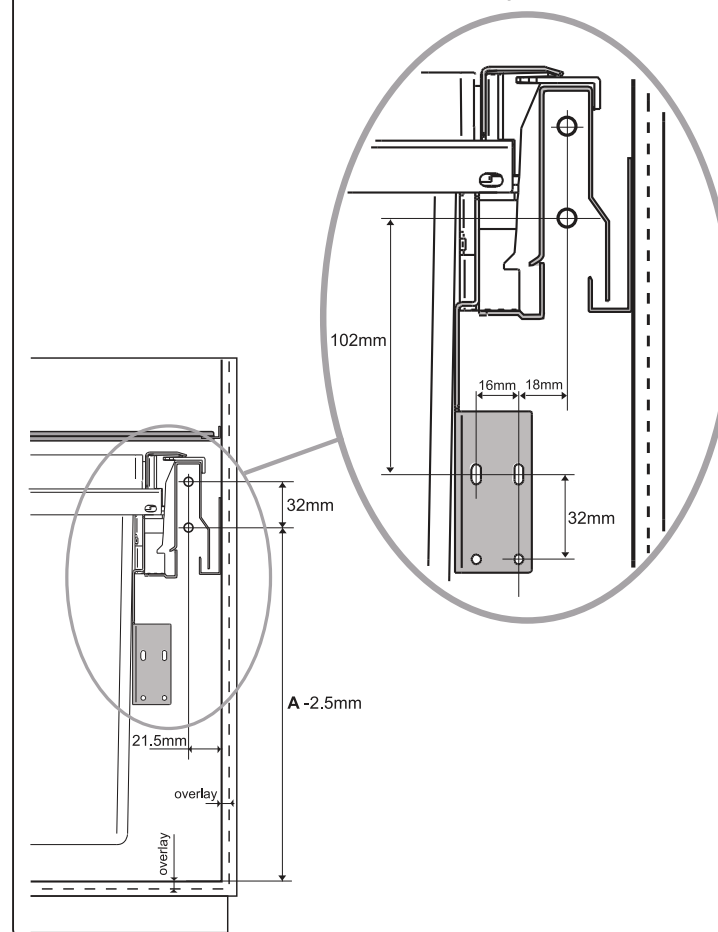
Grass Nova Pro carcass drawer runner position



min. 68mm

min 469  
10 mm clearance has been allowed for the internal bottom of the carcass.

Grass Nova Pro drawer front drilling position



102mm

16mm 18mm

32mm

32mm

21.5mm

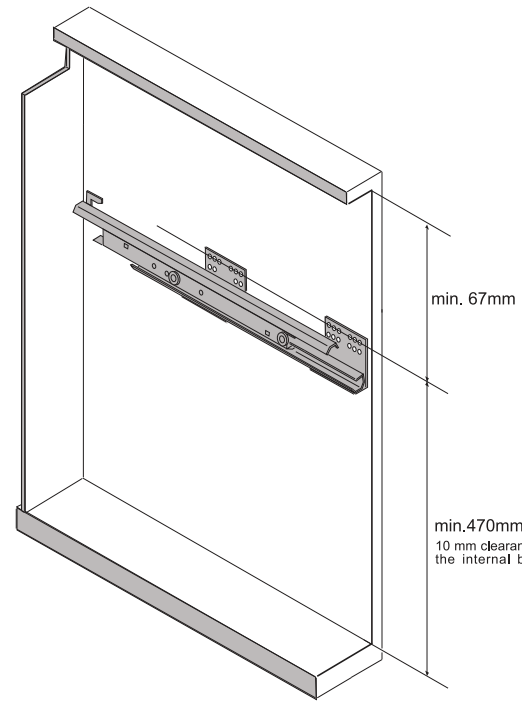
A-2.5mm

overlay

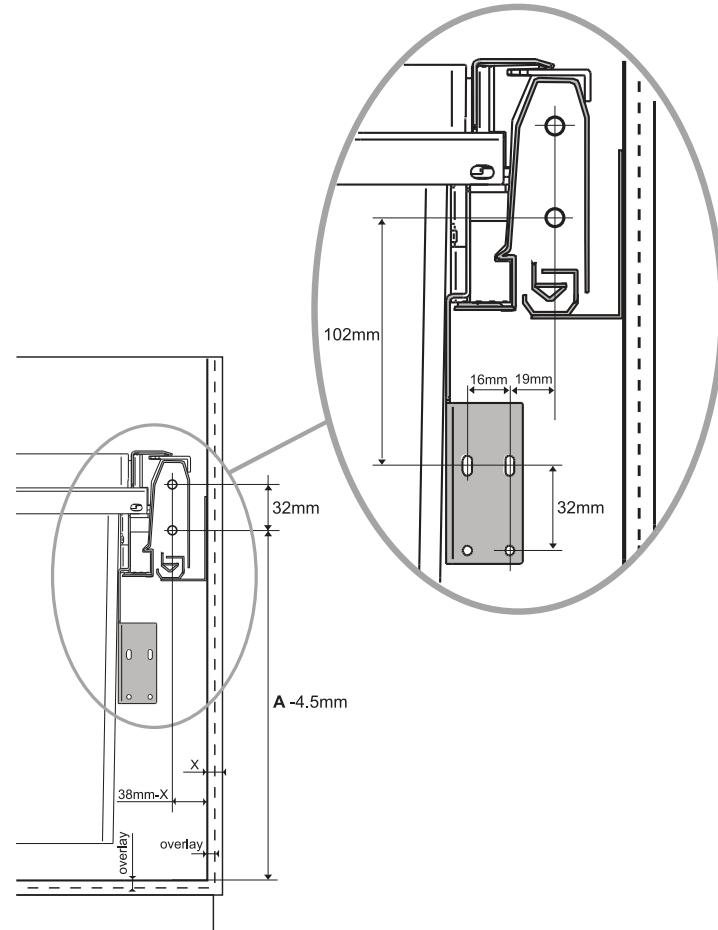
overlay

## Hettich Arcitech

Hettich Arcitech carcass drawer runner position

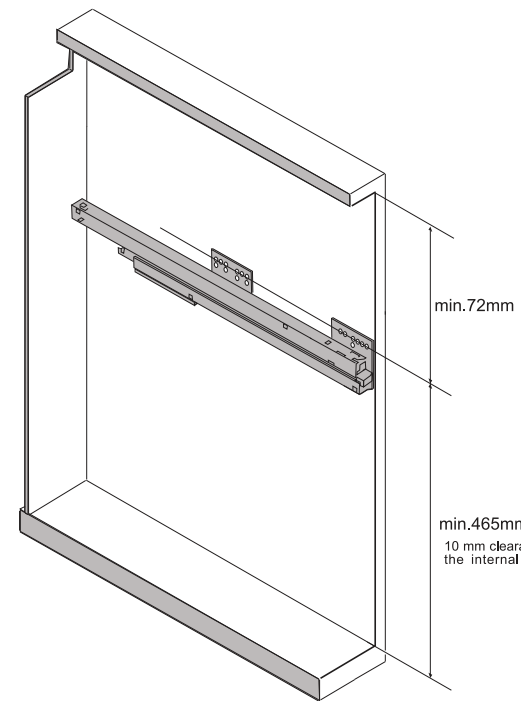


Hettich Arcitech drawer front drilling position



## Grass DWD XP

Grass DWD XP carcass drawer runner position



Grass DWD XP drawer front drilling position

