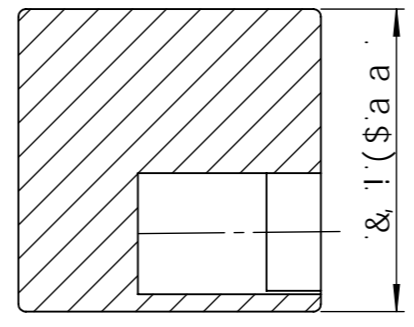
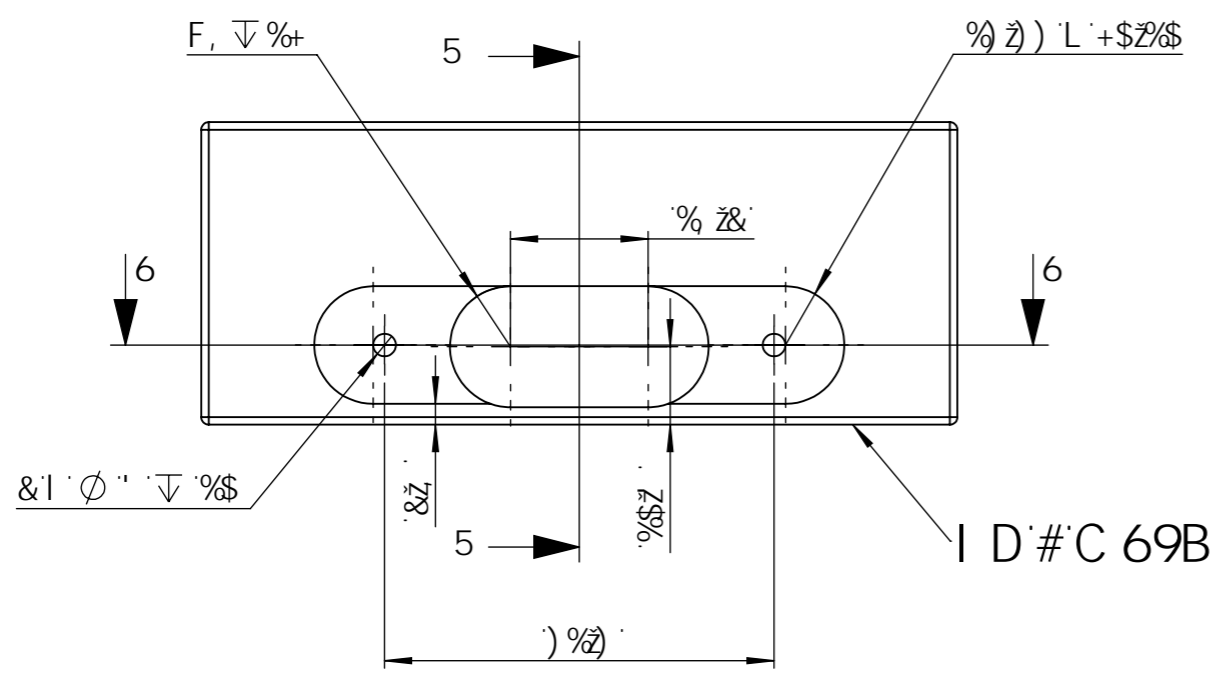
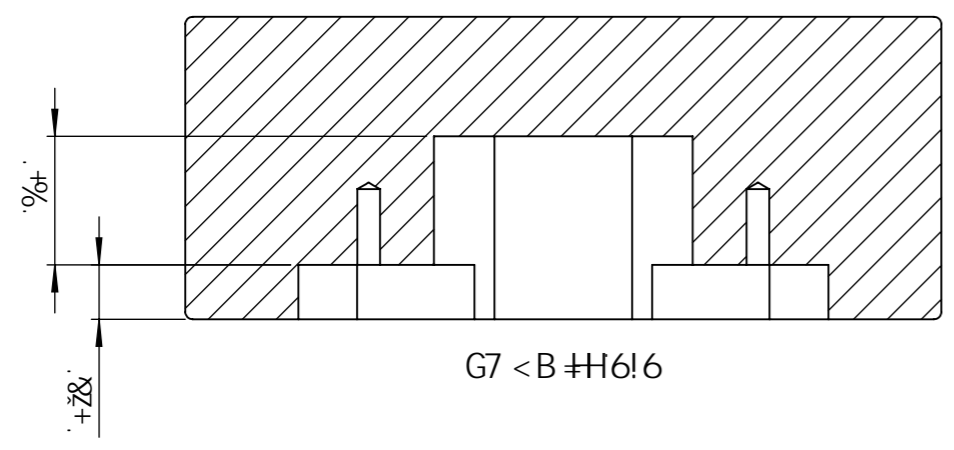


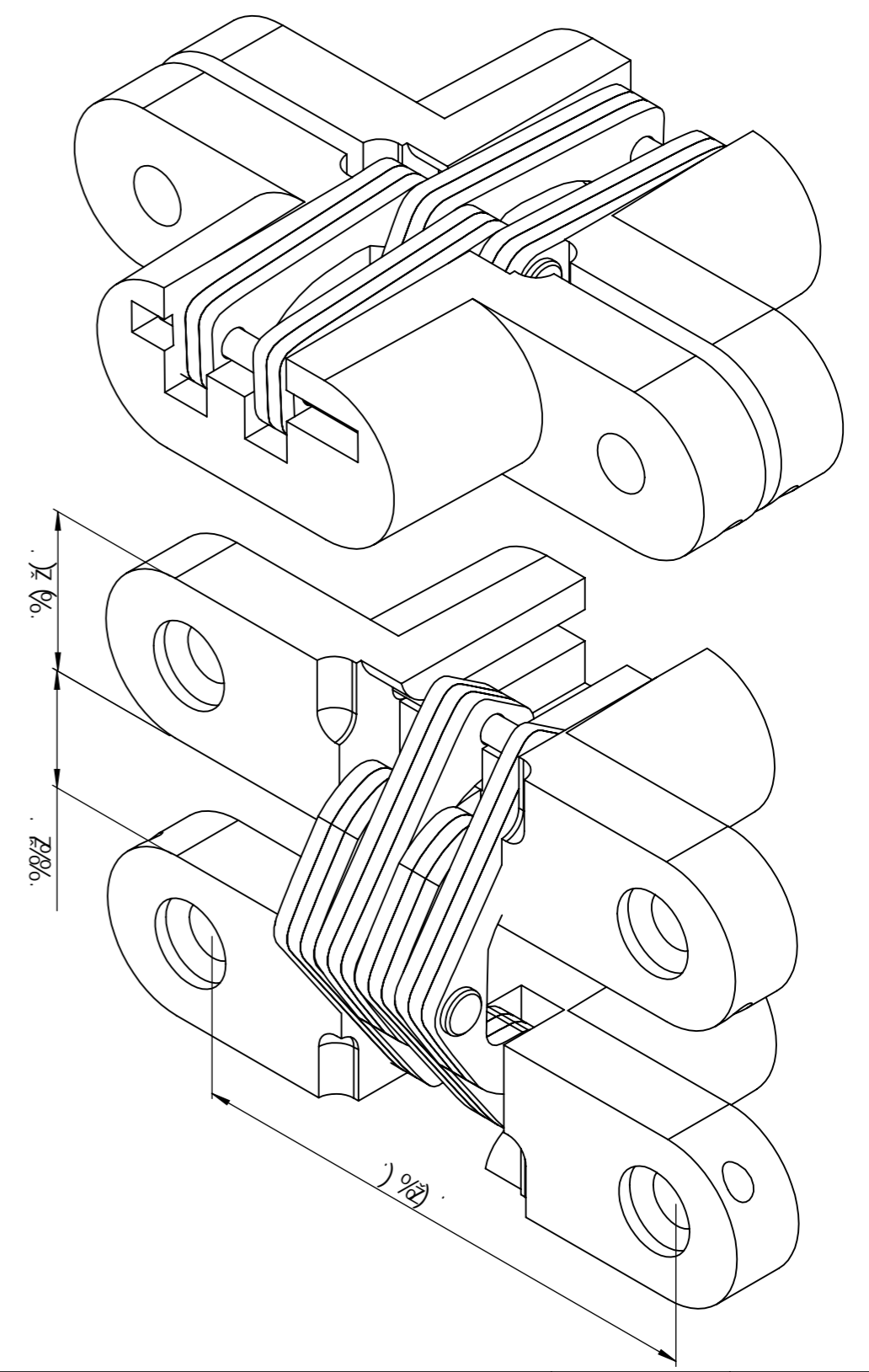
5...d fcdY fmf] \ rguBx f] \ rgrc: Yl d'c ]u]hc b'c ZWc dmf] \ nzc: fR ]gXfuk ]b] XUH Y'a U]b'ci fgyRk Yma UmbchvY'a UXY Uj UJUUV Y'rc Rk ]X' dUffYgk ]R'ci hci fWc bgybrf



G7 < B #H5!5



G7 < B #H6!6



bXYI		7 \ Ub[ Y			8UHY	BUa Y
		8YgW]dh]cb. $\phi \hat{e} \bullet \bullet \& @ \hat{a} [ ] \wedge \hat{A} > \hat{A} \& @ \hat{e} \} \hat{a} \hat{A} \hat{f} \hat{i} \hat{i} \hat{i}$				
8-B'€ %&,' \$		G fZUW.		A UHY fJU'.		K Y] \ h _[
		BUa Y	8UHY	7 ca dUbm		
	G[ bYX	8"7 UffYFU	\$( "\$&"&\$%)			
	HgyX			GYW'bx'7 ca dUbm		
; YbyfU'rc YfubW.' 8-B'€ %&,' \$		ñYa 'Bc.	&\$%! '\$ ' !\$\$*	GWU'Y %%	DU[ Y %#%	5'