

LINEA

5925UAO075L51-10 RAL7001

EAN 4031582377590

Swivel castor with wheel brake, housing made of Polyamide, with blind hole fitting. Wheel centre made of Polyamide, Tread: Polyurethane, plain bearing



BETTER MOBILITY. BETTER LIFE.



Picture may differ from original product

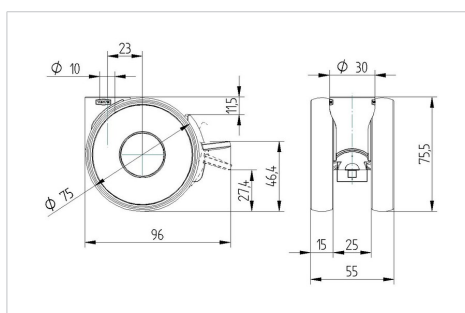
Technical Data

Wheel diameter	75 mm
Wheel width	15 mm
Castor width	55 mm
Centre hole	10 mm
Dome-Ø	30 mm
Offset	23 mm
Swivel Interference	162 mm
Overall height	75.5 mm
Temperature	-20/+60 °C
Standard	EN_12528
Weight	0.175 kg
Swivel Radius	81 mm
Hardness of tread	Shore A92
Load capacity	90 kg
Load capacity (static)	180 kg

Advantages at a glance

Roll performance	● ● ● ○ ○
Movement noise	● ● ● ○ ○
Attrition	● ● ● ○ ○
Corrosion resistance	● ● ● ● ○

Dimensions



Structure & Mounting

