

LEVINA LIGHT

5220PJP075L51-10 7001

EAN 4031582496635

Swivel castor, Housing made of glass-filled Polyamide, with blind hole fitting. Wheel centre made of Polypropylene, Tread: TENTEprene (thermoplastic rubber), grey non-marking, precision ball bearing



BETTER MOBILITY. BETTER LIFE.

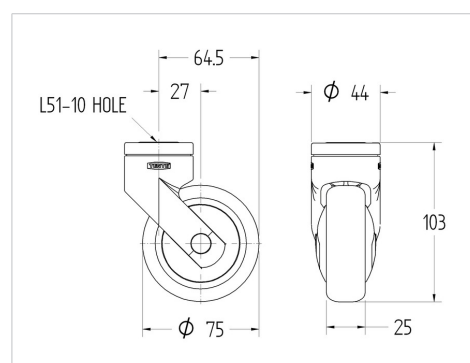


Picture may differ from original product

Technical Data

Wheel diameter	75 mm
Wheel width	25 mm
Centre hole	10 mm
Offset	27 mm
Swivel Interference	129 mm
Overall height	103 mm
Temperature	- 10 / + 40 °C
Standard	EN_12530
Weight	0.162 kg
Swivel Radius	64.5 mm
Hardness of tread	Shore A 87
Load capacity	75 kg

Dimensions



Advantages at a glance

Roll performance	● ● ● ○ ○
Movement noise	● ● ● ● ○
Attrition	● ● ● ○ ○
Corrosion resistance	● ● ● ● ○